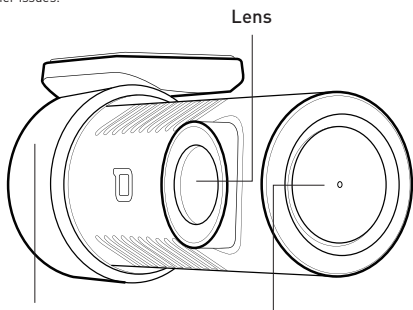
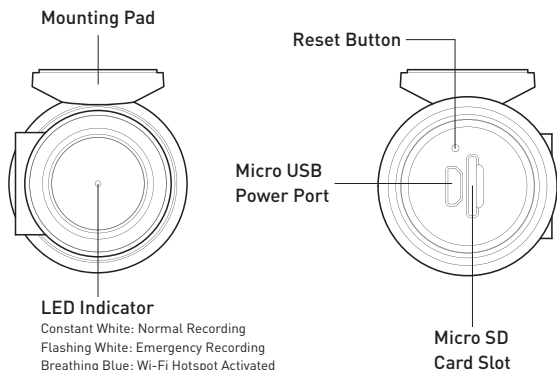


# User Manual

# Quick Start



## Adjustable Angle

Adjust the angle by rotating the camera to fit the angle parallel to ground level.

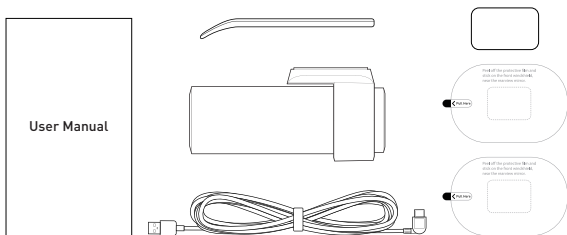
## Button

When connected to a power cable:  
Long press to turn off the device;  
Single click to turn on the device.  
When device is turned on:  
Single click to activate / disable the Wi-Fi hotspot.

# Introduction

With the integration of ZUS Smart Driving Assistant App, ZUS Smart Dash Cam provides solid evidence for accidents and helps with car insurance claims. Equipped with a camera chip and image sensor which allows to record high-quality videos, it is a perfect travel companion.

## At a Glance



## Included:

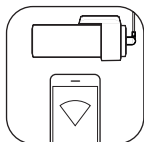
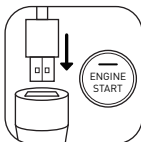
- Smart Dash Cam x 1
- Mounting Tape x 2
- Power Cable x 1
- Electrostatic Sticker x 2
- Pry x 1
- User Manual & Warranty x 1

## Not Included:

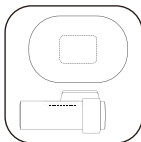
Micro SD Card (16GB ~ 64GB, class 10 or above)

# Getting Started

IMPORTANT: PLEASE INSERT MICRO SD CARD BEFORE USE



- 1** Search "ZUS" on the App Store or Google Play and download the app on your mobile phone.
- 2** Connect the cable to a **USB** car charger, and turn on your vehicle's engine to power up the device.
- 3** Open ZUS App and click add a device to pair. Follow the guide to connect the device.



- 4** Clean your windshield and put the electrostatic sticker on the recommended area as shown in the figure above. Make sure you remove air bubbles between the sticker and the glass.
- 5** Remove the protective cover from the mount and stick the mount's base to the center of the electrostatic sticker. Make sure your dash cam body is parallel to the ground. Press the mount to attach it to the electrostatic sticker tightly.
- 6** Align the cable with the top edge of the windshield using the pry that's included in the packaging and fasten it along the passenger's side and the glove box as shown above.

# Features

## Camera Angle

140 degree to have a vision of 3 lanes while maintain HD video quality.

## Emergency Recording

Built-in adjustable G-sensors that can be triggered by sudden motion or impact. Once triggered, the device goes into emergency recording automatically.

## Video Recording Loop

Most common setting viewed via the free ZUS Smart Driving Assistant App (available on iOS/Android). Downloadable via ZUS app.

## Sound Recording

Disabled by default to protect driver privacy and can be activated any time in the ZUS app.

## Auto-Sync System Time

Automatically synchronize with smartphone's system time when Wi-Fi is connected.

## Video Storage

Supports Micro SD capacity of 16GB to 64GB and class 10 version or above.

## File Management

Real time footage is unavailable when in the file management page in the ZUS app.

## Wi-Fi Connection

Built-in Wi-Fi hotspot, able to download video files without consuming any roaming data.

# Troubleshooting Procedures

## **What can I do if the camera doesn't work?**

Make sure that the car's engine is started, there is power output from the cigarette lighter receptacle, the USB cable is connected correctly and the car charger is well plugged in. If this doesn't help, poke the Reset button at the bottom of the dash cam by a pin to reset it.

## **What to do when the LED indicator turns Red?**

Normally Red LED indicator suggests Micro SD card related issues. Please double check if you are using a Micro SD card that is of 16GB to 64 GB and Class 10 or above. If yes, please long press the button for 7 secs when the device is powered off and connected to the USB Charger to format the Micro SD card to solve the issue.

**If you are using a SD card of 64GB for the first time, please format the card before use.**

## **What can I do if the camera doesn't start recording after it's been properly powered up?**

You need to activate the dash cam through ZUS App during the initial setup. The device does not record videos if not being activated. If the device does not start recording while already activated, please check if your Micro SD card meets the requirement of the device, and make sure you have formatted the Micro SD card by the device before using.

## **What can I do if the camera stops recording unexpectedly?**

Re-format your Micro SD card or replace it.

## **Why the videos are blurry?**

Make sure your windshield is clean and the dash cam's lens isn't covered by an object.

## **Why the sound is not recorded?**

To protect your privacy, sound recording is disabled by default. If you want to record the sound, please open sound recording in device settings.

## **What to do if the electrostatic sticker falls down?**

Clean your windshield, attach the electrostatic sticker to the glass, and remove the air bubbles between the sticker and the windshield.

Please check our FAQ (<http://nonda.zendesk.com>) for more troubleshooting procedures if problem not solved or contact our customer service at [cs@nonda.us](mailto:cs@nonda.us)

# Specifications

Feature	Specification
Size	3.6 x 1.7 x 1.5 in; 91.5 x 43.8 x 38.3 mm
Weight	2.46 oz; 70 g
Sensor	SONY IMX323LQN-C
Operating Temperature	-4°F ~ 140°F; -20°C ~ 60°C
Storage Temperature	-4°F ~ 158°F; -20°C ~ 70°C
Wi-Fi	802.11 b/g/n 2.4 GHz; Max output power 17dBm
Picture Resolution	Max. 1080P 30FPS
Camera Angle	140°
Aperture	f/1.8
Micro SD Card	Supported 16GB to 64GB (Class 10); 16GB≈1.5h
Sound Recording	Supported
Wi-Fi name and password	ZUS_DC_XXXX; 12345678
Input Voltage	5V/1A Max

## LED Indicator

Color	Device State
Constant White	Normal Recording
Flashing White	Emergency Recording
Breathing Blue	Wi-Fi Hotspot Activated, Video not Recording *Slowly alternating between light and dark.
Red	Abnormal State i.e. SD card related or other issues

## Warning Buzzer

Beep Three Times	Problem in Recording
Beep Once	When Turned On or Off / Reset
Beep Twice	When Wi-Fi is Activated or Disabled

# Important Safety Instructions

1. If your vehicle has constant power in the cigarette lighter receptacle, please turn off the device each time you parked your car, otherwise the battery might get drained.
2. If you haven't driven your car for more than 2 weeks, please synchronize the system time in the ZUS app's settings first.
3. Please download emergency files as soon as possible, even though emergency files will be protected from being overwritten. However, we cannot guarantee whether it will be overwritten by another emergency file or not.
4. Once the Wi-Fi hotspot is activated, device stops recording.
5. If the driver's seat is on the right side, rotate the image via settings in the ZUS App.
6. ZUS Smart Dash Cam records videos outside of the moving vehicles. It can't protect drivers and passengers from any accidents. We shall not take any responsibility if the user gets involved in any traffic accident and/or bears any loss due to the product failure, information loss, or product operation.
7. Due to the differences in vehicle type, driving preferences, the environment, and other differences, parts of the product or the whole product may not work normally in the given circumstances. The recording may not work normally because of losing external power source, working in abnormal temperatures and/or humidity, collisions, the Micro SD card damage, and other possible reasons. We do not guarantee that all the videos can be saved completely in any given situation. The images recorded by this product are for reference only.
8. Install the product correctly, do not block driver's vision, do not obstruct the air bag either. Incorrect installation of the product may cause product failure and injury.
9. Keep this product away from strong magnetic fields to avoid damage.



# Important Safety Instructions

10. Do not insert or pull out the Micro SD card when the product is working to avoid damaging the Micro SD card.
11. Use a Micro SD card with storage capacity between 16GB and 64GB, and reading and writing speed not lower than Class 10. Format the Micro SD card before using it.
12. Micro SD cards may be damaged after repetitive use. Replace the Micro SD cards in time to be able to save videos. We shall not bear any responsibility for the failure caused by Micro SD cards.
13. The product can record and save the footage of traffic accidents, but we do not guarantee any accident footage can always be recorded and saved. Slight collisions may not be detected by the sensor; therefore, the footage may not be placed among the accident videos.
14. Do not use this product in the temperatures higher than 140°F/60°C or lower than -4°F/-20°C.
15. The battery may get discharged if the device is not used for a long time. You might be asked to reset the device time when you power the device on again. Sync time.
16. Do not shake or press the product. Strong impact or shaking may bring irreparable damage to the product.
17. Do not clean this product by chemical solvents or cleansers.
18. Use this product within the scope of the law.

# No NDA inc. One year Warranty

nonda warrants that your nonda hardware product (the "Product") will be free from defects in materials and workmanship under normal use for a period of one (1) year from the date of delivery.

## REMEDIES

If a hardware defect in the Product arises and a valid claim is received within the Warranty Period, nonda will, at its sole option and subject to applicable laws: (a) repair the Product at no charge with a new or refurbished components or (b) replace the Product with a new or refurbished Product upon return of the defective Product. This Warranty does not apply to Products you purchase from unauthorized resellers, or where the instructions for use and activation of the Product are not complied with or where the Product is damaged as a result of abuse, accident, modification or other causes beyond our reasonable control. Any replacement product will be warranted for the remainder of the original warranty period or 30 calendar days, whichever is longer.

## EXCLUSIONS AND LIMITATIONS

This Limited Warranty applies only to the original purchaser of Product that was purchased from an authorized retailer or sales channel. Non-authorized 3rd party receipts or order numbers are NOT accepted for warranty verification. Without limiting the foregoing, the Limited Warranty does not apply to any (a) nonda products and services other than the Product, (b) Product that is, or nonda reasonably believes to be, stolen, (c) to damage caused by accident, abuse, misuse, flood, fire, earthquake or other external causes; (d) to damage caused by operating the Product outside the permitted or intended uses described by nonda or with improper voltage or power supply;

## OBTAIN WARRANTY SERVICES

To obtain remedies under this Warranty, nonda must receive your claim before the end of the Warranty Period. You also must deliver the Product, in either its original packaging or packaging providing an equal degree of protection, to the address specified by nonda. Consumer shall bear the cost of shipping the device to nonda. By sending the Device, consumer agrees to transfer ownership to nonda. nonda may not return the original device to consumer. If the claim is justified based on this Warranty, nonda shall bear the cost of shipping the repaired or replacement device to the Consumer.

## How To Make A Warranty Claim

Read through our warranty above; if you believe you are covered by the warranty please prepare following documents and send them to [csf@nonda.us](mailto:csf@nonda.us).

1. A copy or screenshot of the original purchase invoice to verify your warranty (order id, purchase date, website or store)

2. A description of the problem with a photo illustrating the physical damage

3. Your shipping address including name, postal code and phone number

If you need software support only, you may contact us with your app account and phone operation system. We would be glad to help.

Please note that, in the European Union, any warranty period less than two years shall be increased to two years.

## Regulatory Compliance

### FCC Compliance Statement

FCC ID: 2AFZB-ZUDCBKSNA

NOTE: This equipment has been tested and found to comply with the limits for a Class B digital device, pursuant to part 15 of the FCC Rules. These limits are designed to provide reasonable protection against harmful interference in a residential installation. This equipment generates uses and can radiate radio frequency energy and, if not installed and used in accordance with the instructions, may cause harmful interference to radio communications.

However, there is no guarantee that interference will not occur in a particular installation. If this equipment does cause harmful interference to radio or television reception, which can be determined by turning the equipment off and on, the user is encouraged to try to correct the interference by one or more of the following measures:

- Reorient or relocate the receiving antenna.
- Increase the separation between the equipment and receiver.
- Connect the equipment into an outlet on a circuit different from that to which the receiver is connected.
- Consult the dealer or an experienced radio/TV technician for help.

Changes or modifications not expressly approved by the party responsible for compliance could void the user's authority to operate the equipment.

This device complies with Part 15 of the FCC Rules. Operation is subject to the following two conditions:

- (1) this device may not cause harmful interference, and
- (2) this device must accept any interference received, including interference that may cause undesired operation.

## RF Exposure Warning Statements:

This equipment complies with FCC radiation exposure limits set forth for an uncontrolled environment. This equipment shall be installed and operated with minimum distance 20cm between the radiator & body.

This device is acting as slave and operating in the 2.4 GHz (2412 ~2462 MHz) band. Ad Hoc function is supported but not able to operate on non-US frequencies.

## Declaration of Conformity



Refer to article 10(9), shall be provided as follows:

Hereby, No NDA inc. declares that the radio equipment type Smart Dash Cam is in compliance with Directive 2014/53/EU.

The full text of the EU declaration of conformity is available at the following Internet address: <https://www.nonda.co/pages/regulation/>.

Please note that, in the European Union, any warranty period less than two years shall be increased to two years.

Manufacturer: No NDA Inc.

Developed by nonda in California. Assembled in China.  
No NDA Inc., 320 Mountain View Avenue, Mountain View, CA 94041, USA.  
No NDA Inc., Günther-Wagner-Allee 13, 30177 Hannover, Germany.  
[www.nonda.co](http://www.nonda.co) | TM and © 2018 No NDA Inc. All rights reserved.